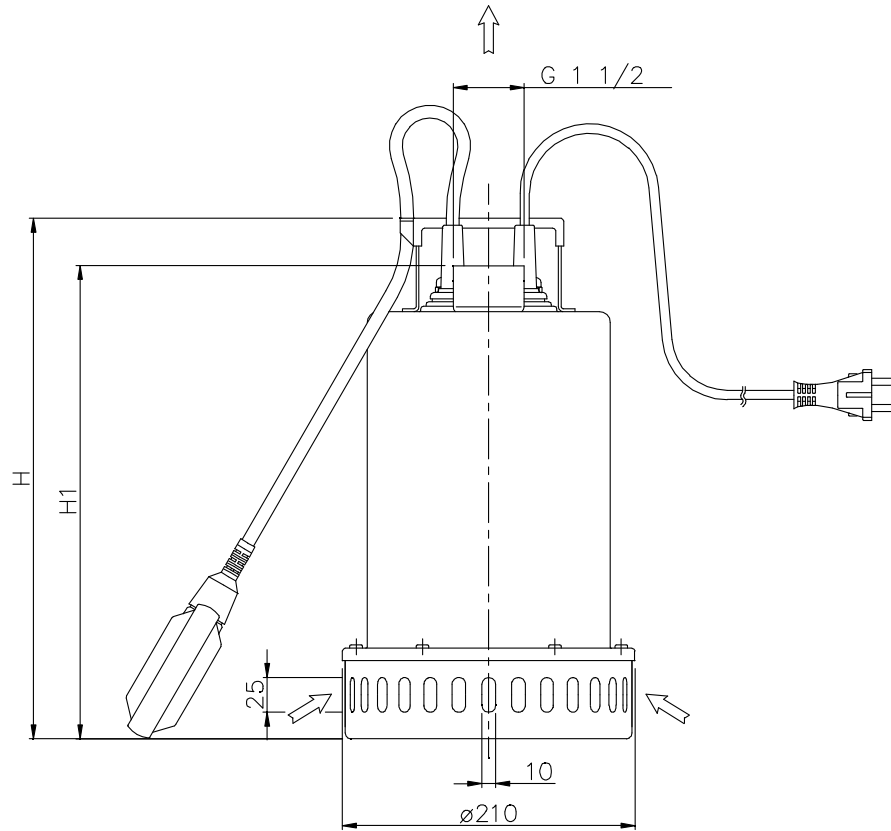


PUMP



Pump type	Dimensions [mm]	
	H	H1
BEST 2	352	315
BEST 3	352	315
BEST 4	377	340
BEST 5	377	340